

PAUL MATTER

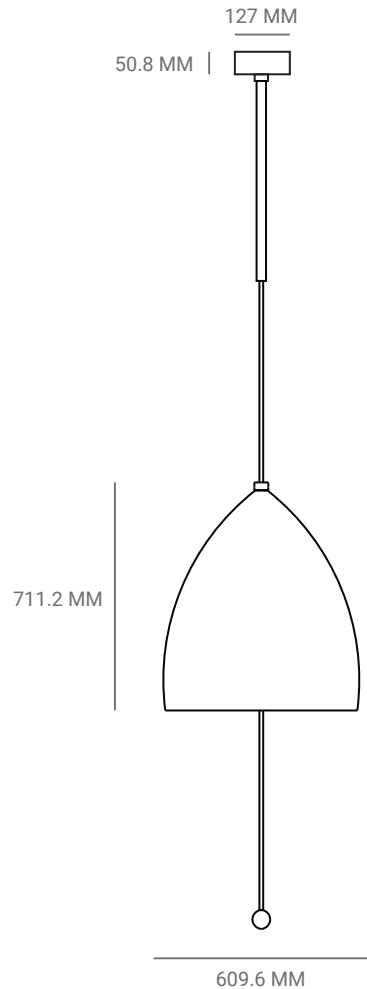


## OVERLAY I CEILING PENDANT

OVERLAY & UNDERLAY IS A COLLECTION OF LIGHTS BORN FROM A COLLABORATION WITH CLOTHES MAKER, KALLOL DATTA. THE COLLABORATION EXPLORES DIFFERENT APPROACHES TO LIGHT DESIGN, THAT BLEND THE TRADITIONAL AND THE EXPERIMENTAL, FORM AND FUNCTION, DETAIL AND BENIGN. THE COLLECTION IS COMPOSED OF A CEILING PENDANT, FLOOR LAMP AND LIMITED EDITION LIGHT PIECES.

# OVERLAY I

## CEILING PENDANT



P.CODE:  
PMO1

DIMENSIONS:  
W: 609.6 MM  
HEIGHT TO ORDER

WEIGHT:  
10 KGS

LAMPING:  
BLOWN GLASS LED TUBE  
CE CERTIFIED, VOLTAGE 220V - 240V

MATERIALS:  
BRASS, STEEL AND BLOWN GLASS

CUSTOM LENGTHS:  
MINIMUM LENGTH - 1828.8 MM  
INCLUDES UPTO - 2489.2 MM  
ADDITIONAL LENGTH AT 1% PER 25.4 MM

CUSTOM FINISHES:  
1. MIRROR POLISHED STEEL WITH BURNT BRASS  
AND AGED BRASS DETAILS

LEAD TIME:  
8 WEEKS  
FINISHED AND ASSEMBLED BY HAND