

PAUL MATTER



TANGO SCONCE

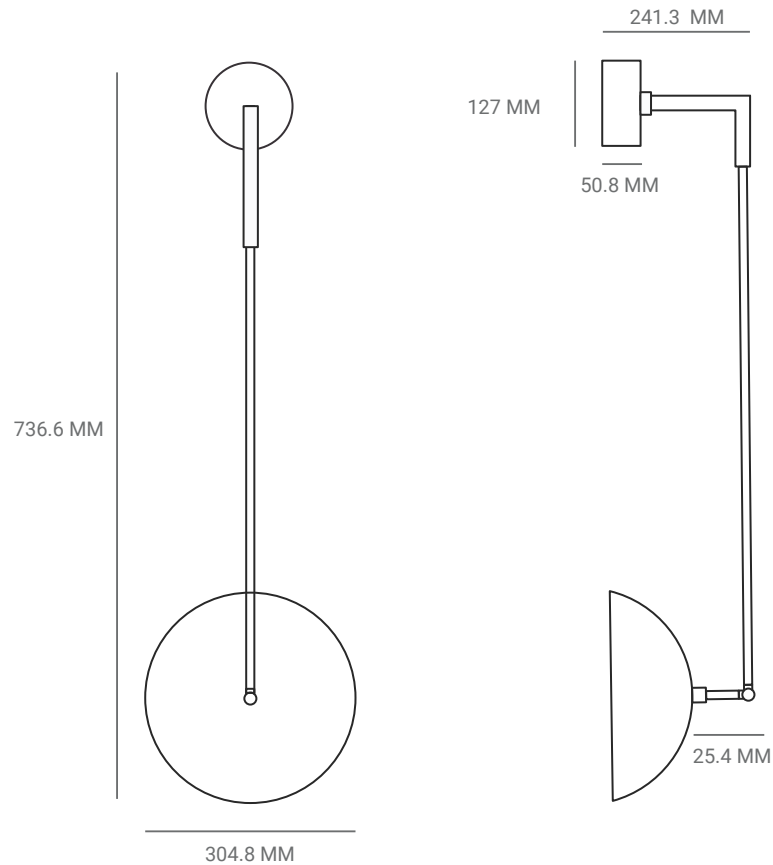
WALL SCONCE

TANGO IS BORN FROM PLAYFUL EXPERIMENTATION WITH VINTAGE LIGHTING COMPONENTS TO CREATE LIGHTING FIXTURES THAT FUSE SCULPTURAL FORM WITH HAND-WORN MATERIALS. ARTICULATING ELBOWS AND BRASS SHADES CREATE A SOPHISTICATED ARMATURE THAT EMITS SOFT POOLS OF LIGHT. TANGO SERIES COMPRISES OF PENDANTS, CHANDELIERS AND WALL SCONCE.

PAUL MATTER

TANGO SCONCE

WALL SCONCE



P.CODE:
PMTBS

DIMENSIONS:
D: 304.8 MM
HEIGHT TO ORDER

WEIGHT:
2.5 KGS

LAMPING:
1 TYPE E27 MEDIUM BASE
40W INCANDESCENT, WARM WHITE
CE CERTIFIED, VOLTAGE 220V - 240V
DIMMABLE

MATERIALS:
BRASS

CUSTOM LENGTHS:
MINIMUM LENGTH - 609.6 MM
INCLUDES UPTO - 736.6 MM
ADDITIONAL LENGTH AT 1% PER 25.4 MM

CUSTOM FINISHES:
1. AGED BRASS WITH AGED BRASS DETAILS
2. BUFF BRASS WITH BUFF BRASS DETAILS
3. BURNT BRASS WITH BURNT BRASS DETAILS
4. BURNT BRASS WITH AGED BRASS DETAILS
5. RAW BRASS WITH RAW BRASS DETAILS

LEAD TIME:
8 WEEKS
FINISHED AND ASSEMBLED BY HAND