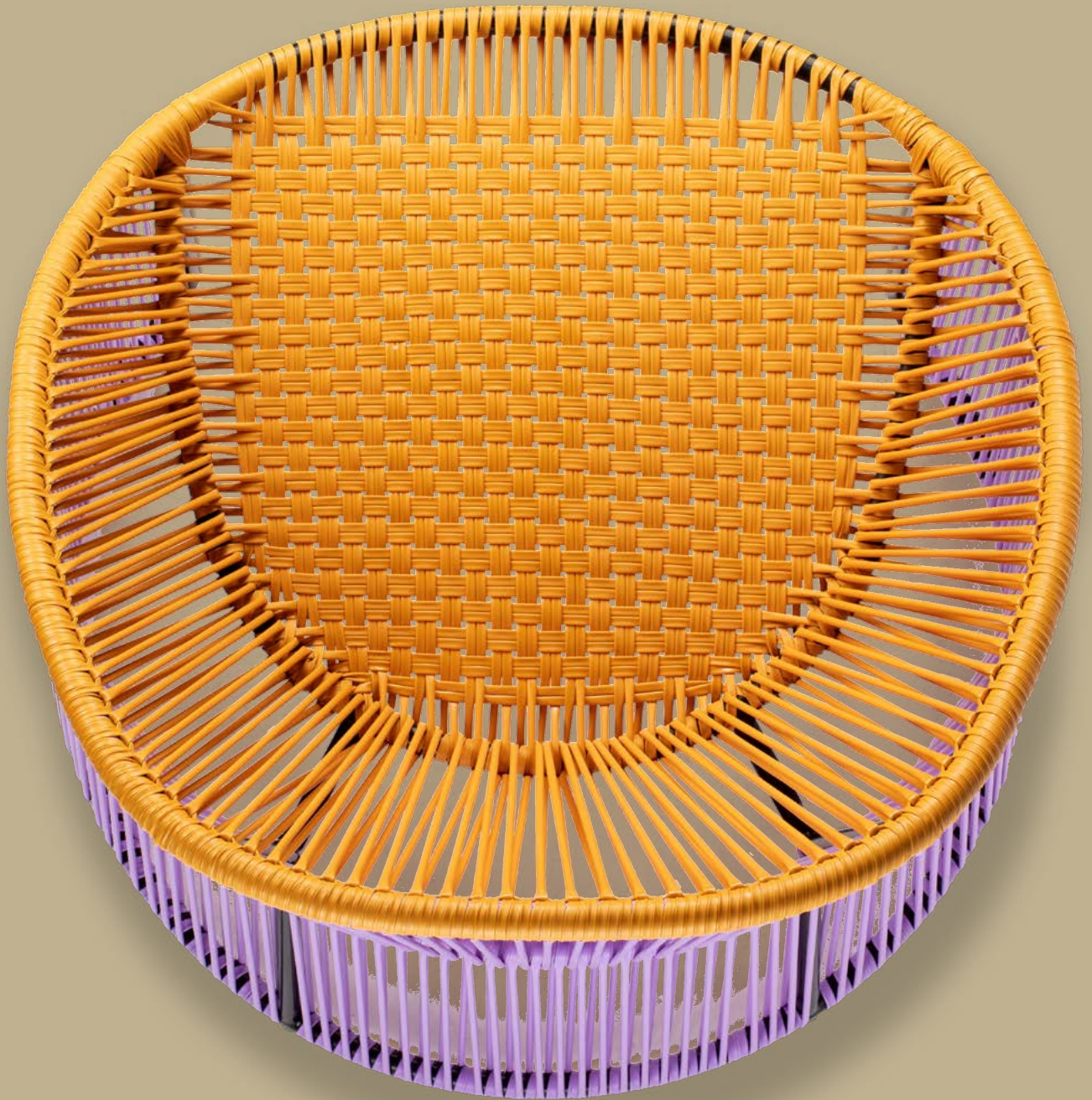


# CARTAGENAS Lounge Chair



ames

# CARTAGENAS

## Lounge Chair



### Product type

Lounge Chair

### Materials

Galvanized and powder coated tubular steel, PVC strings made from recycled plastic

### Colours

black/black/black  
coral/caramel brown/black  
purple/pastel blue/black  
purple/olive green/black  
lilac/honey yellow/black

### Country of origin

Colombia

### Place of use

Commercial and Residential

### Environment

Indoor and outdoor

### Customise product

Please contact  
shop@amesliving.de  
for bespoke version

### Design and inspiration

The colours and shape of the Cartagenas Dining Chair are inspired by Sebastian Herkner's visit to Colombia's buzzing coastal city Cartagena de Indias. "Fishing pelicans, women selling fruit, cozy restaurants: Cartagena lures you in with its many facets and this collection also plays with perspectives", describes Sebastian the collection. The elegant, curved chair can be used indoors and outdoors and comes either with a seat and back in contrasting colours or a monochrome version.

### About the designer

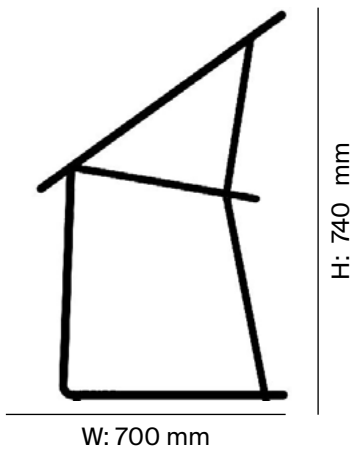
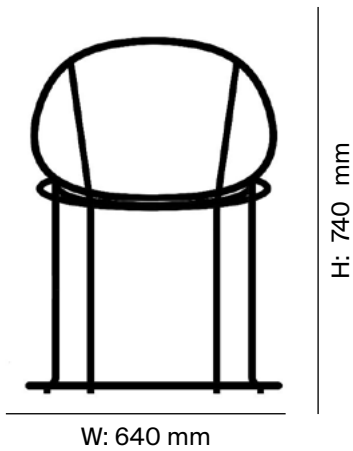
German designer Sebastian Herkner is a long-term collaborator of ames and has visited Colombia multiple times to experience the country's cities, nature and people first hand. He also visited many of the ateliers that ames has partnered with to learn about the unique traditional crafts of Colombia's regions. A sought-after contemporary designer and recipient of many industry awards, he has worked with many international design brands, creating intriguing pieces that showcase his intuition for interesting material, colour and texture combinations.

# CARTAGENAS Lounge Chair



# CARTAGENAS Lounge Chair

## Technical Specifications



### Dimensions (mm)

Height: 740  
Width: 640  
Depth: 700  
Seat height: 420

### Packaging dimensions

(H x W x D) (mm)  
800 x 800 x 850

### Item weight (kg)

12

### Craft and manufacturing

The coloured strings, made from recycled PVC, are woven by hand around the steel frame, using two different colours for seat and back. The Colombian craftspeople, based in Bogota, use an especially intricate weaving technique to create a neat contrast. It takes them three days to complete one chair.

### Care instructions

Wipe clean with a damp cloth, do not use chemical cleanser. To protect the colours, avoid exposing the product to direct sunlight over longer periods. Protect the product with a cover or store it indoors during winter or harsh weather conditions. If the product is exposed to sea air, wipe it regularly with a damp cloth (no chemical cleansers). Fitted cover sold separately.

# CARTAGENAS Lounge Chair



black/black/black  
00ACARLC-A



coral/caramel brown/black  
00ACARLC-B



purple/pastel blue/black  
00ACARLC-C



purple/olive green/black  
00ACARLC-D



lilac/honey yellow/black  
00ACARLC-E